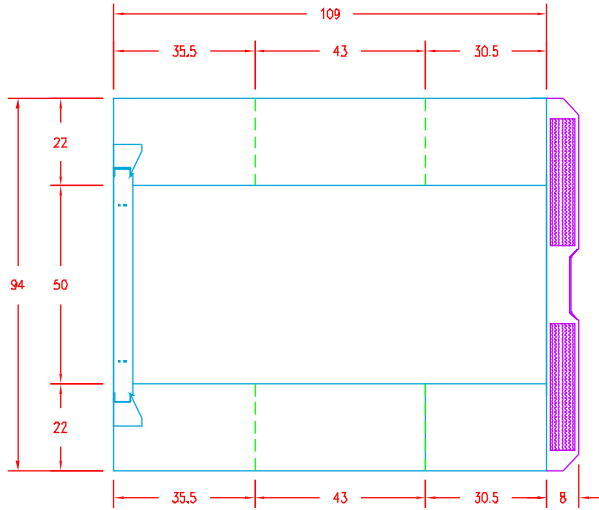


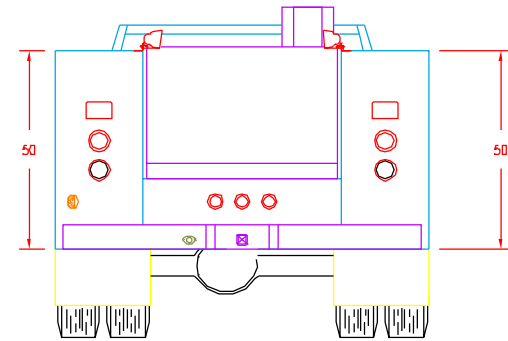
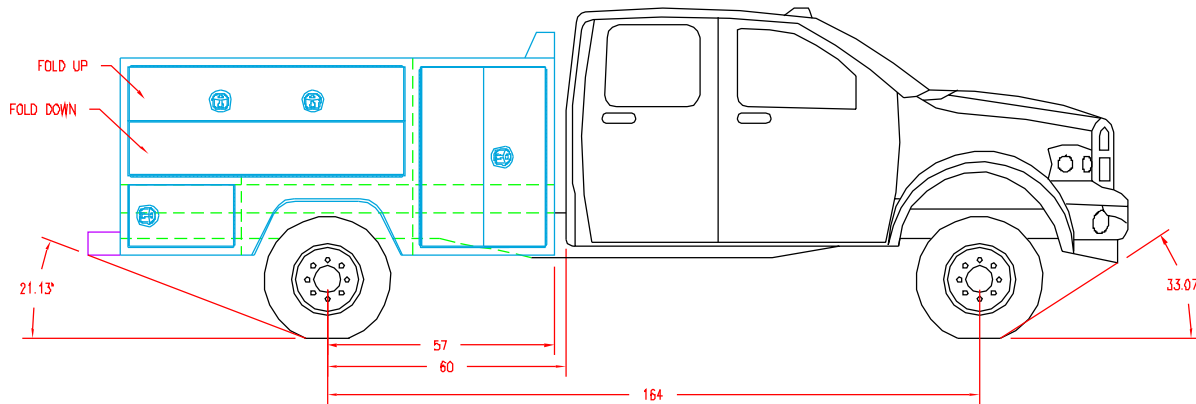
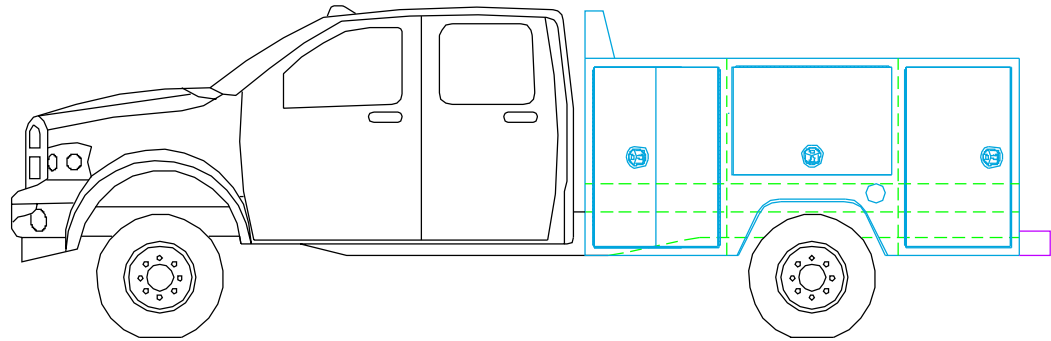
SIZE	NUMBER	REV.
1	800-20455	-

NOTES:
1. ALL DIMENSIONS ARE IN INCHES.

REVISIONS			
REV	DESCRIPTION	DATE	BY



TOP VIEW



REAR VIEW

800-7-1100108-10	DRAWN Sam Lager	CHECKED
PAGE 1 OF 1	DATE 1/23/08	APPROVED
NOTICE: THIS DRAWING CONTAINS PROPRIETARY INFORMATION. IT IS SUBMITTED IN CONFIDENCE AND IS TO BE USED SOLELY FOR THE PURPOSE FOR WHICH IT IS FURNISHED AND RETURNED UPON REQUEST. THIS DRAWING AND SUCH INFORMATION IS NOT TO BE REPRODUCED, TRANSMITTED, DISCLOSED, OR USED OTHERWISE IN WHOLE OR IN PART WITHOUT WRITTEN AUTHORIZATION.	TOLERANCES UNLESS NOTED:	
	DECIMAL-----	± .03
	DECIMAL-----	± .015
	ANGLES-----	1°
	MACHINED SURFACES	125/
	DO NOT SCALE THIS PRINT REMOVE ALL BURRS AND SHARP EDGES	


990 VERNON RD.
WATHENA, KS. 66090
PHONE: (785) 989-3100
FAX: (785) 989-3563

TITLE: Brush Truck
7 Series Body

SCALE	WEIGHT	SIZE	NUMBER	REV.
1/50	-	1	800-20455	-